

Hydraulic Cylinder

TCY Series

The compact and indoor use cylinder, widely used by the medical equipment and beauty-parlor chairs, requires higher quality and unique property than the ordinary industrial cylinders for vibration, noise, shocks to stop and oil contaminations, because this is basically used for medical application. Fine Sinter can offer high quality and low cost cylinders by our accumulated technology with introducing the most up-dated mass-production technology of the automobile for years. These cylinders will complete the total reliability of our hydraulic systems with the motor pumps and the valves.

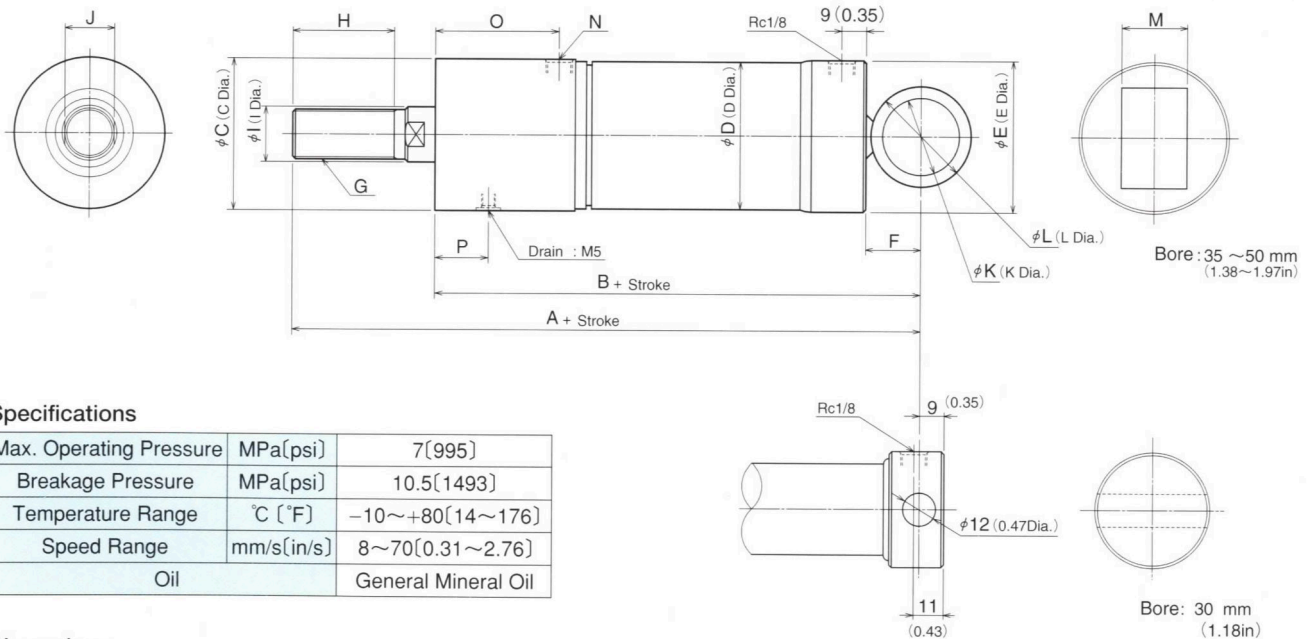
[Features]

- Drain port to prevent oil leak to outside
- Adoption of a certain packing material preventing noise
- Minimum outside dimensions and installation width
- Light weight structure

● Model Identification

e.g.) **TCY - W 70 N 35 CC 100**

- Stroke
 - 50 : 50mm [1.97 in]
 - 100 : 100mm [3.94 in]
 - 150 : 150mm [5.91 in]
 - 200 : 200mm [7.87 in]
 - 250 : 250mm [9.84 in]
 - 300 : 300mm [11.81 in]
- Holding Type
 - CC : Fixed I Type
- Bore
 - 30 : 30mm [1.18 in]
 - 35 : 35mm [1.38 in]
 - 40 : 40mm [1.57 in]
 - 50 : 50mm [1.97 in]
- Cushion
 - N : None
- Max. Operating Pressure
 - 70 : 7MPa [70kgf/cm²]
- Type of Acting
 - W : Double-Acting
 - S : Single-Acting
- Series



Specifications

Max. Operating Pressure	MPa[psi]	7[995]
Breakage Pressure	MPa[psi]	10.5[1493]
Temperature Range	°C [°F]	-10~+80[14~176]
Speed Range	mm/s[in/s]	8~70[0.31~2.76]
Oil		General Mineral Oil

Dimensions

Bore	Type of Acting	A	B	C	D	E	F	G	H	I	J	K	L	M	N	O	P	Weight : g
30 [1.18]	W	119 [4.69]	86 [3.39]	40 [1.57]	33 [1.30]	42 [1.65]	16 [0.63]	M10X1.25	22 [0.87]	12.5 [0.49]	10 [0.39]	21 [0.83]	28 [1.10]	18 [0.71]	Rc1/8	32 [1.26]	19 [0.75]	500+2.12×Stroke (mm)
	S	114 [4.49]	74 [2.91]		38 [1.50]	38 [1.50]			27 [1.06]	16 [0.63]	14 [0.55]				34.5 [1.36]	20.5 [0.81]	500+2.74×Stroke (mm)	
35 [1.38]	W	152 [5.98]	109.5 [4.31]	45 [1.77]	43.5 [1.71]	44 [1.73]	16 [0.63]	M14X1.5	27 [1.06]	16 [0.63]	14 [0.55]	21 [0.83]	28 [1.10]	18 [0.71]	Rc1/8	45 [1.77]	31 [1.22]	590+2.92×Stroke (mm)
	S	137 [5.39]	95 [3.74]		37 [1.46]	20 [0.79]			18 [0.71]	28 [1.10]	36.5 [1.44]				24 [0.94]	530+2.92×Stroke (mm)		
40 [1.57]	W	173.5 [6.83]	121 [4.76]	55 [2.17]	53.5 [2.11]	55 [2.17]	20 [0.79]	M18X1.5	37 [1.46]	20 [0.79]	18 [0.71]	28 [1.10]	36.5 [1.44]	24 [0.94]	Rc1/8	45 [1.77]	31 [1.22]	890+4.26×Stroke (mm)
	S	158.5 [6.24]	106.5 [4.19]		37 [1.46]	20 [0.79]			18 [0.71]	28 [1.10]	36.5 [1.44]				24 [0.94]	810+4.26×Stroke (mm)		
50 [1.97]	W	178 [7.01]	127 [5.00]	55 [2.17]	53.5 [2.11]	55 [2.17]	20 [0.79]	M18X1.5	37 [1.46]	20 [0.79]	18 [0.71]	28 [1.10]	36.5 [1.44]	24 [0.94]	Rc1/8	45 [1.77]	31 [1.22]	1310+4.7×Stroke (mm)
	S	164 [6.46]	112.5 [4.43]		37 [1.46]	20 [0.79]			18 [0.71]	28 [1.10]	36.5 [1.44]				24 [0.94]	1200+4.7×Stroke (mm)		

Minimum order quantity is to be applied for this cylinder.

Unit : mm [in]