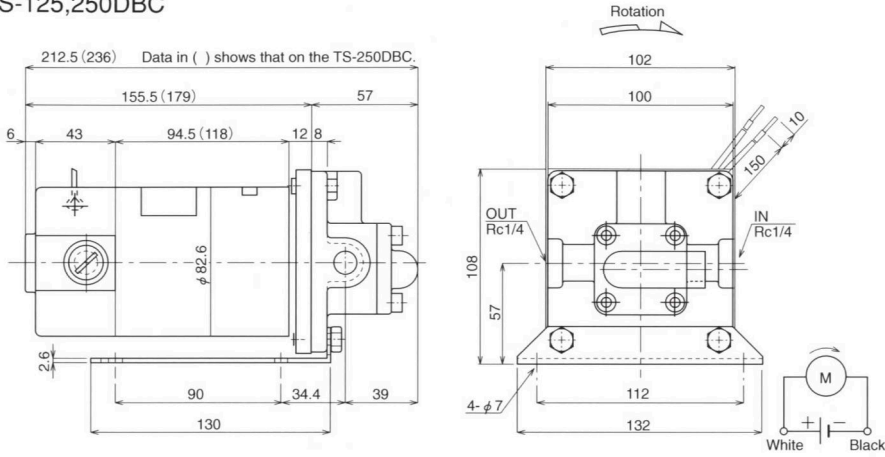
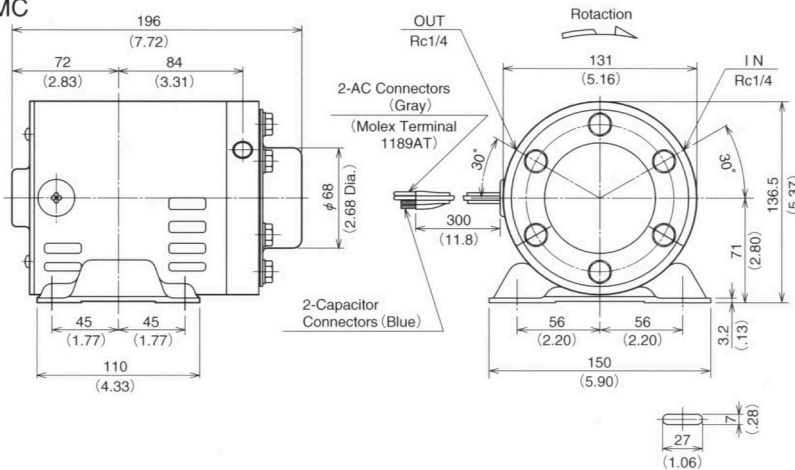


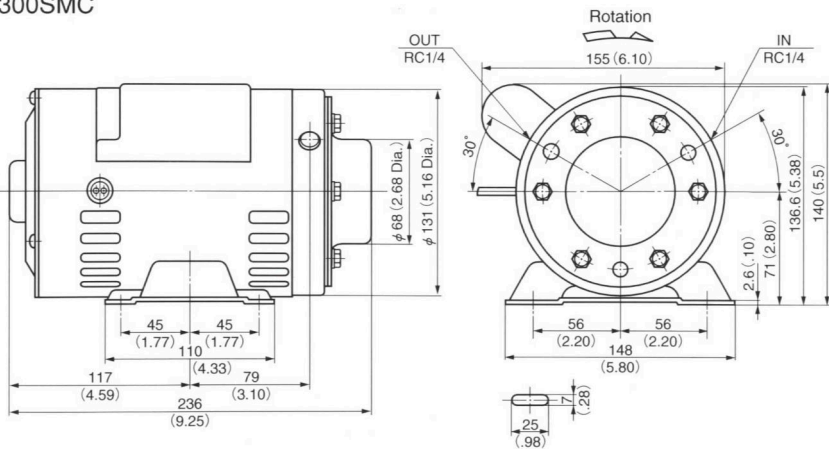
TS-125,250DBC



TS-150SMC

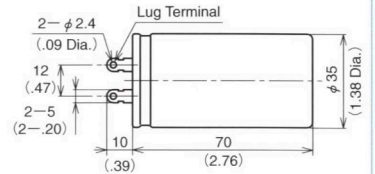


TS-300SMC

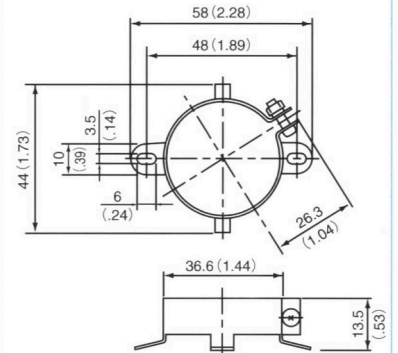


TS-150SMC Accessories

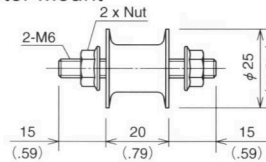
Capacitor (33 μF)



Capacitor Mounting Bracket



Motor Mount



Precautions to the DBC and SMC Series

To avoid trouble or failure, please follow the operating precautions below. For hydraulic oil and piping, refer to How to Use TSM Series Motor Pumps (pages 7 and 8.)

《DBC Series》

- Check the power supply, and connect a white lead to + terminal, and a black lead to - terminal.

- Do not operate longer than the rated time. Otherwise, burning may be caused.

《SMC Series》

- Check the 150SMC power supply, and connect a blue lead to the capacitor, and a gray lead to the power supply. Do not use other capacitor than the associated one. Otherwise, burning may be caused.

- Check the 300SMC power supply, and connect leads to the power supply.

Special Products

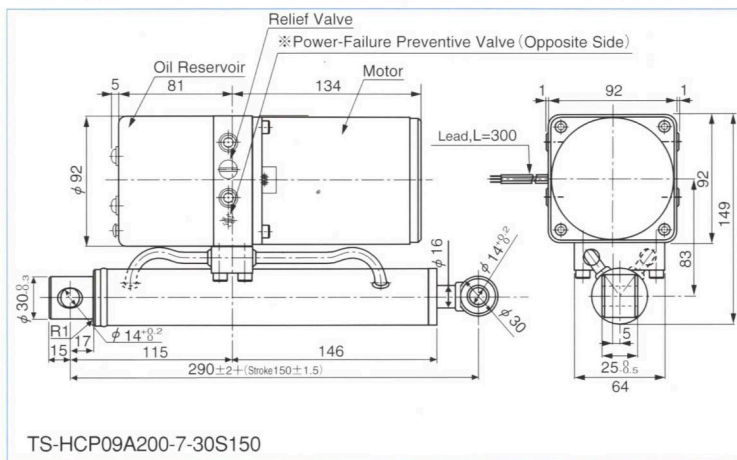
HCP Series (Fitted with Hydraulic Cylinder)

PLC Series (Fitted with Lift)

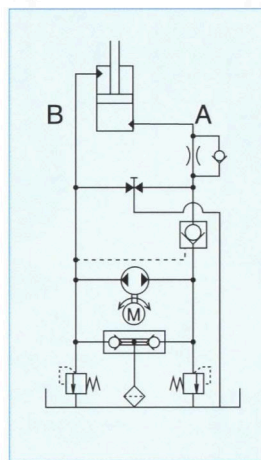
The HCP and PLC series is a new addition to our product line.

HCP Series

The HCP series hydraulic package combines a motor, pump, valve and cylinder. Using the non-leak valve and internal contact gear ensures high reliability and low-noise operation for environmentally friendly operation.



Hydraulic Circuit

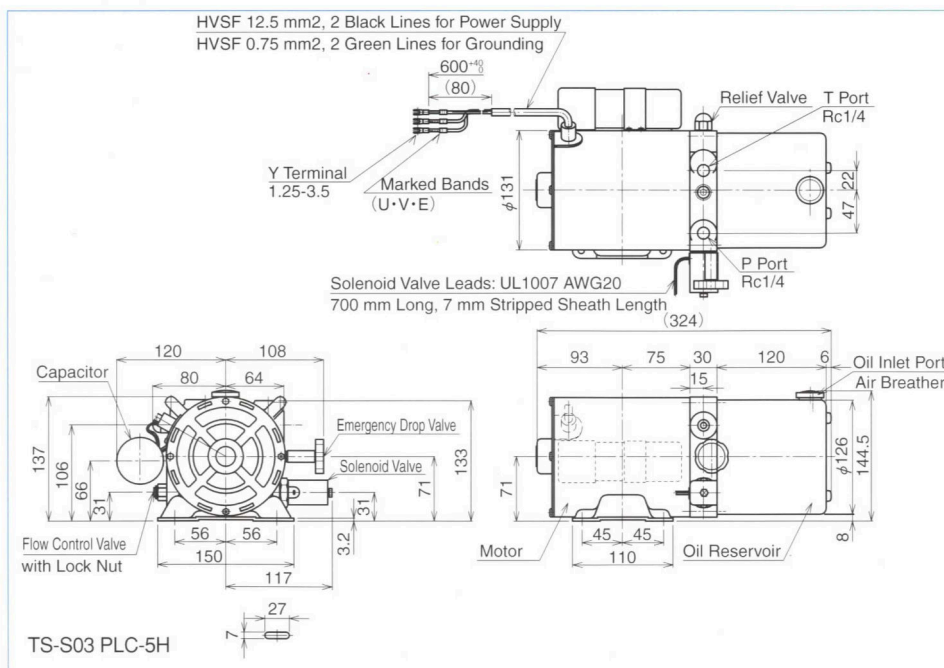


Specifications

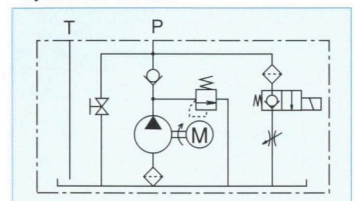
(50/60Hz)	
Motor Output	90W
Motor Voltage	3-phase 200V
Rated Current	0.8/0.8A
Rated Time	15min
Rated Pressure	4MPa
Unloaded Discharge	1.1/1.3L/min
Rated Discharge	0.9/1.1L/min
Set Relief Pressure	A Discharge-6MPa B Discharge-4MPa
Force under Rated Pressure	A Discharge-2800N B Discharge-2000N
Reservoir Capacity	0.25L
Cylinder Bore	φ30
Stroke	150mm
Press Speed	20/24mm/s(Rated Pressure)

PLC Series

The PLC series is a lift package that has a hydraulic circuit equivalent to the HU-27. Using the non-leak valve and internal contact gear ensures high reliability and low-noise operation, and increases the motor output for higher pressure use.



Hydraulic Circuit



S03PLC-5H

Specifications

(50/60Hz)		
Motor	Output	0.3kW
	Voltage	AC100V
	Current	5.8/5.2A
	Rated Time	15分
Solenoid Valve	Voltage	100 VAC
	Power	8/6W
Pump	Rated Pressure	12MPa
	Discharge	Unloaded 0.8/0.9 L/min Rated Load 0.5/0.6 L/min
	Relief Valve	Set Pressure 15 ± 0.5MPa Pressure Adjust Range 8 ~ 15MPa
Reservoir	Capacity	1L
	Effective Oil Capacity	0.7L

Notice that the above-introduced series has a minimum order quantity. When ordering, please specify the following items: Application, operating environment, power source, cycle time, cylinder bore, stroke, cylinder speed (push /pull), operating pressure, and cylinder force (push/pull).